



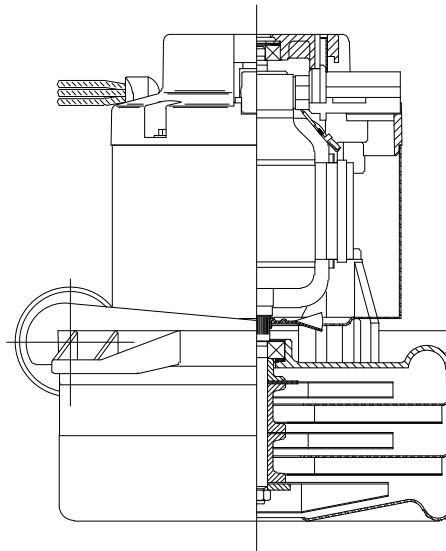
**Model: 117500-12  
117500-13\***

**DESCRIPTION**

- Three stage
- 120 volts
- 7.2"/183 mm diameter
- Double ball bearings
- Single speed
- Tangential bypass discharge
- Aluminum fan end bracket
- Aluminum commutator bracket

**DESIGN APPLICATION**

- Equipment operating in environments requiring separation of working air from motor ventilating air
- Designed to handle clean, dry, filtered air only



**SPECIAL FEATURES**

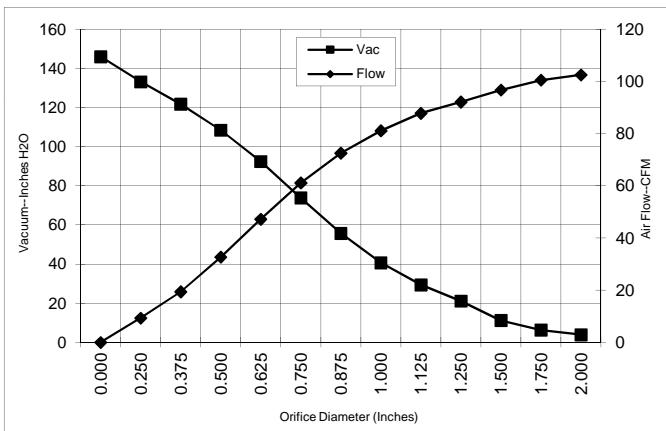
- Suitable for 120 volt AC operation , 50/60 Hz
- UL recognized, category PRGY2 (E47185)
- CSA certified, class 1611 01 (LR31393)
- Provision for grounding
- 10 mm shaft and bearing system
- Epoxy painted fan case
- The Lamb Electric vacuum motor line offers a wide range of performance levels to meet design needs

**\*Model 117500-13 features Patented air seal bearing construction, U.S. Patent #4.088.424**

**TYPICAL MOTOR PERFORMANCE.\***

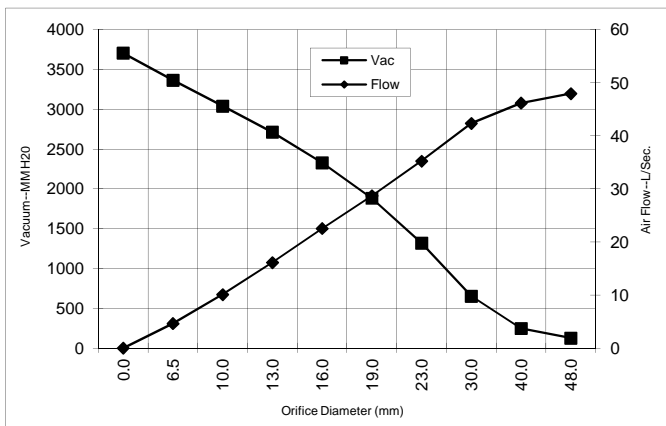
(At 120 volts, 60Hz, test data is corrected to standard conditions of 29.92 Hg, 68° F.)

**ASTM DATA**



Orifice (Inches)	Amps	Watts (In)	RPM	Vac (In.H2O)	Flow (CFM)	Air Watts
2.000	14.3	1584	19935	3.9	102.5	46
1.750	14.2	1583	19915	6.3	100.5	75
1.500	14.2	1582	19870	11.2	96.7	128
1.250	14.4	1595	19830	21.1	92.1	229
1.125	14.4	1605	19800	29.4	87.8	304
1.000	14.4	1600	19770	40.7	81.1	388
0.875	14.4	1602	19825	55.7	72.5	474
0.750	14.2	1576	19930	73.8	61.1	530
0.625	13.7	1528	20310	92.4	47.2	512
0.500	12.8	1427	21110	108.4	32.7	416
0.375	11.6	1303	22135	121.7	19.4	277
0.250	10.5	1188	23225	133.1	9.3	145
0.000	9.7	1099	24265	145.9	0.0	0

**METRIC DATA**



Orifice (mm)	Amps	Watts (In)	RPM	Vac (mm H2O)	Flow (L/Sec)	Air Watts
48.0	14.3	1584	19926	126	48.0	59
40.0	14.2	1582	19884	247	46.2	112
30.0	14.4	1601	19814	652	42.4	270
23.0	14.4	1602	19811	1320	35.2	453
19.0	14.2	1575	19938	1884	28.7	530
16.0	13.7	1530	20295	2328	22.5	513
13.0	12.9	1437	21030	2713	16.1	426
10.0	11.8	1322	21981	3041	10.1	298
6.5	10.6	1194	23171	3366	4.6	152
0.0	9.7	1099	24265	3706	0.0	0

Note: Metric Performance data is calculated from the ASTM data above.

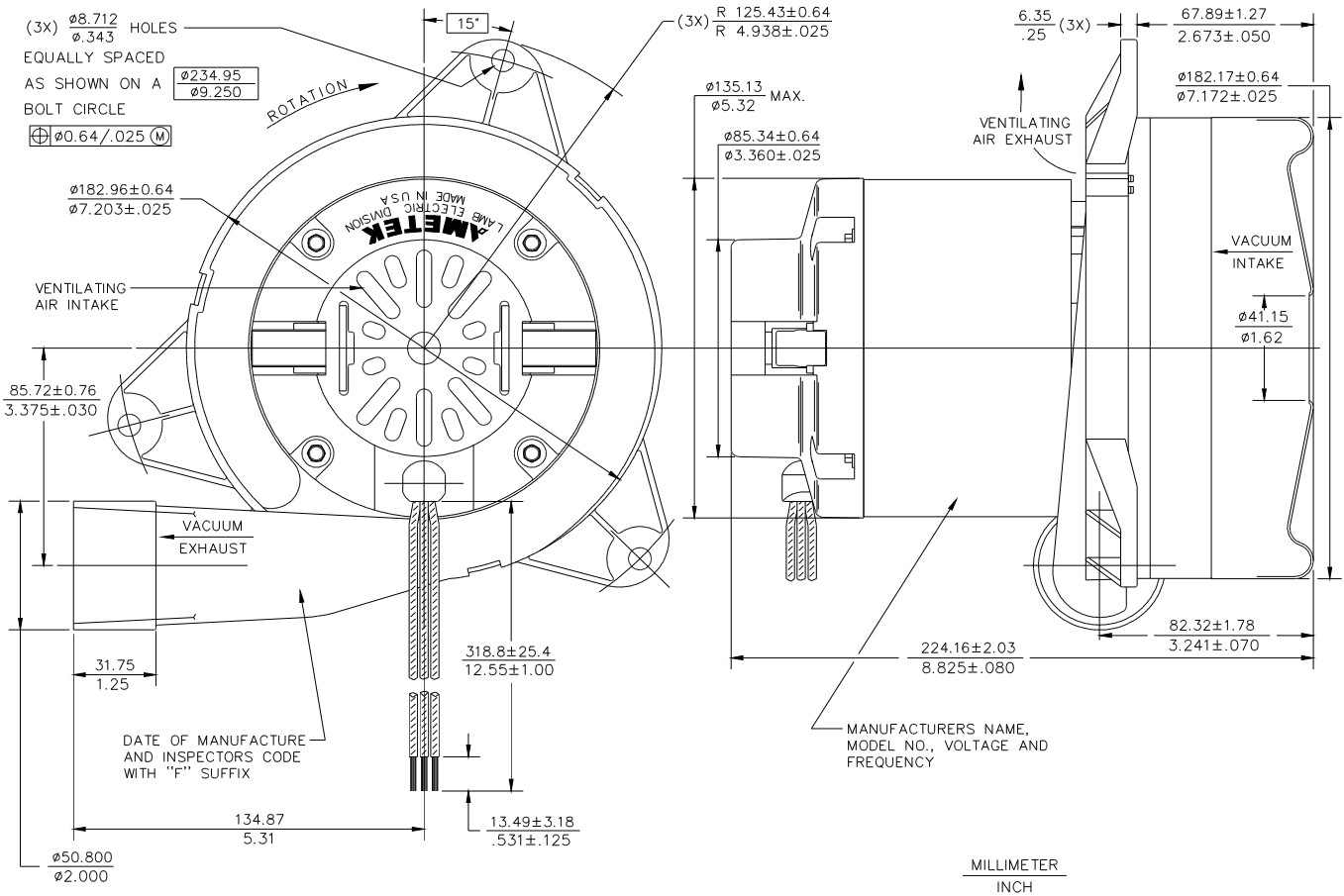
\* Data represents performance of a typical motor sampled from a large production quantity. Individual motor data may vary due to normal manufacturing variations.

<b>Test Specs:</b>	120 volts	<b>Minimum Sealed Vacuum:</b> 134"	<b>ORIFICE:</b>	7/8"	<b>Minimum Vacuum:</b> 49"	<b>Maximum Watts:</b>	1720
--------------------	-----------	------------------------------------	-----------------	------	----------------------------	-----------------------	------

**DIMENSIONS**

NOTES:

1. LEADS: 16GA. STRANDED, ONE BLACK AND ONE WHITE. GROUND LEAD: 18GA. STRANDED, GREEN WITH YELLOW STRIPE.



**IMPORTANT NOTE:** Pictorial and dimensional data are subject to change without notice. Contact factory for current revision levels.

**WARNING** - When using AMETEK Lamb Electric bypass motors in machines that come in contact with foam, liquid (including water), or other foreign substances, the machine must be designed and constructed to prevent those substances from reaching the fan system, motor housing, and electrical components. Lamb Electric vacuum motors other than hazardous duty models should not be applied in machines that come in contact with dry chemicals or other volatile materials. Failure to observe these precautions could cause flashing (depending on volatility) or electrical shock which could result in property damage and severe bodily injury, including death in extreme cases. All applications incorporating Lamb Electric motors should be submitted to appropriate organizations or agencies for testing specifically related to the safety of your equipment.

**AMETEK/Floorcare & Specialty Motors**  
**www.ametekfsm.com**