

LAMB ELECTRIC

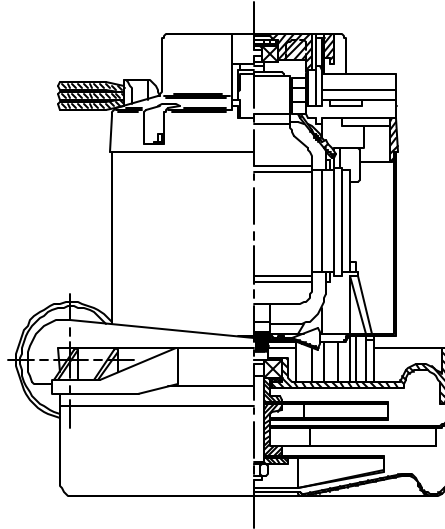
Model: 117478-12

DESCRIPTION

- Two stage
- 120 volts
- 7.2"/183 mm diameter
- Double ball bearings
- Single speed
- Tangential bypass discharge
- Aluminum fan end bracket
- Aluminum commutator bracket

DESIGN APPLICATION

- Equipment operating in environments requiring separation of working air from motor ventilating air
- Designed to handle clean, dry, filtered air only

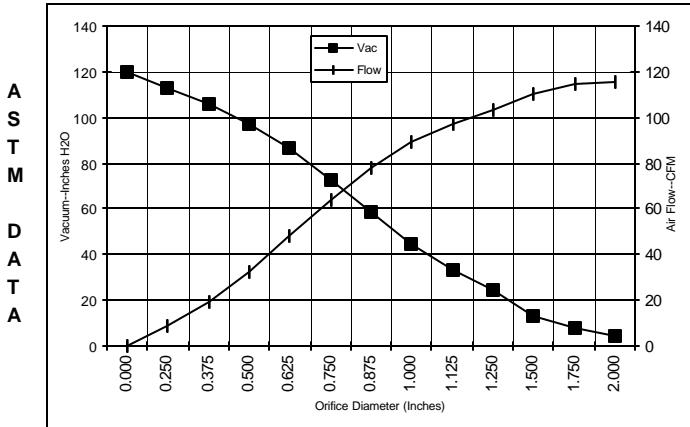


SPECIAL FEATURES

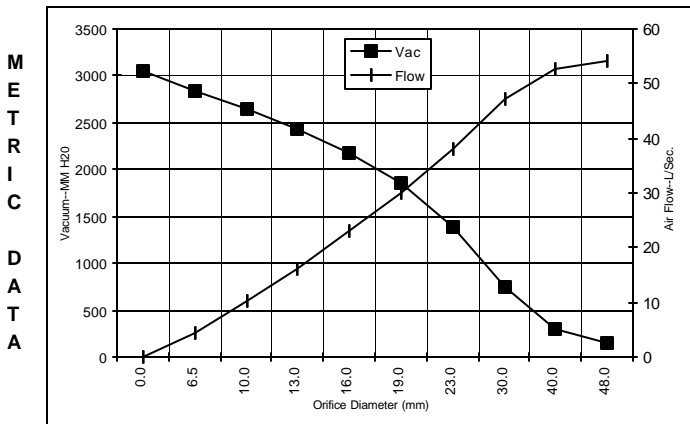
- Suitable for 120 volt AC operation, 50/60 Hz
- UL recognized, category PRGY2 (E47185)
- CSA certified, class 1611 01 (LR31393)
- Provision for grounding
- 10 mm shaft and bearing system
- Epoxy painted fan case
- Aluminum fan-end bracket designed to dampen vibration and improve durability
- The Lamb Electric vacuum motor line offers a wide range of performance levels to meet design needs

TYPICAL MOTOR PERFORMANCE.*

(At 120 volts, 60Hz, test data is corrected to standard conditions of 29.92 Hg, 68° F.)



Orifice (Inches)	Amps	Watts (In)	RPM	Vac (In.H ₂ O)	Flow (CFM)	Air Watts
2.000	13.8	1572	22310	4.7	115.8	64
1.750	13.8	1572	22310	7.8	114.2	105
1.500	13.9	1583	22235	13.5	110.4	175
1.250	14.0	1595	22140	24.6	103.5	299
1.125	14.0	1591	22150	33.1	97.2	378
1.000	14.0	1593	22135	44.5	89.1	465
0.875	13.9	1581	22285	58.3	78.0	534
0.750	13.5	1544	22550	72.9	64.1	549
0.625	12.9	1473	23095	86.4	48.5	492
0.500	11.9	1371	23970	96.8	32.8	373
0.375	10.9	1261	25050	105.5	19.3	239
0.250	10.2	1179	26015	112.5	8.8	116
0.000	9.7	1115	26745	120.0	0.0	0



Orifice (mm)	Amps	Watts (In)	RPM	Vac (mm H ₂ O)	Flow (L/Sec)	Air Watts
48.0	13.8	1572	22310	154	54.3	82
40.0	13.9	1580	22258	299	52.6	154
30.0	14.0	1593	22146	744	47.2	342
23.0	13.9	1584	22248	1393	38.1	517
19.0	13.5	1543	22561	1859	30.1	548
16.0	12.9	1476	23073	2181	23.2	494
13.0	12.0	1381	23883	2432	16.2	385
10.0	11.1	1278	24888	2647	10.1	259
6.5	10.2	1183	25967	2849	4.4	122
0.0	9.7	1115	26745	3048	0.0	0

Note: Metric Performance data is calculated from the ASTM data above.

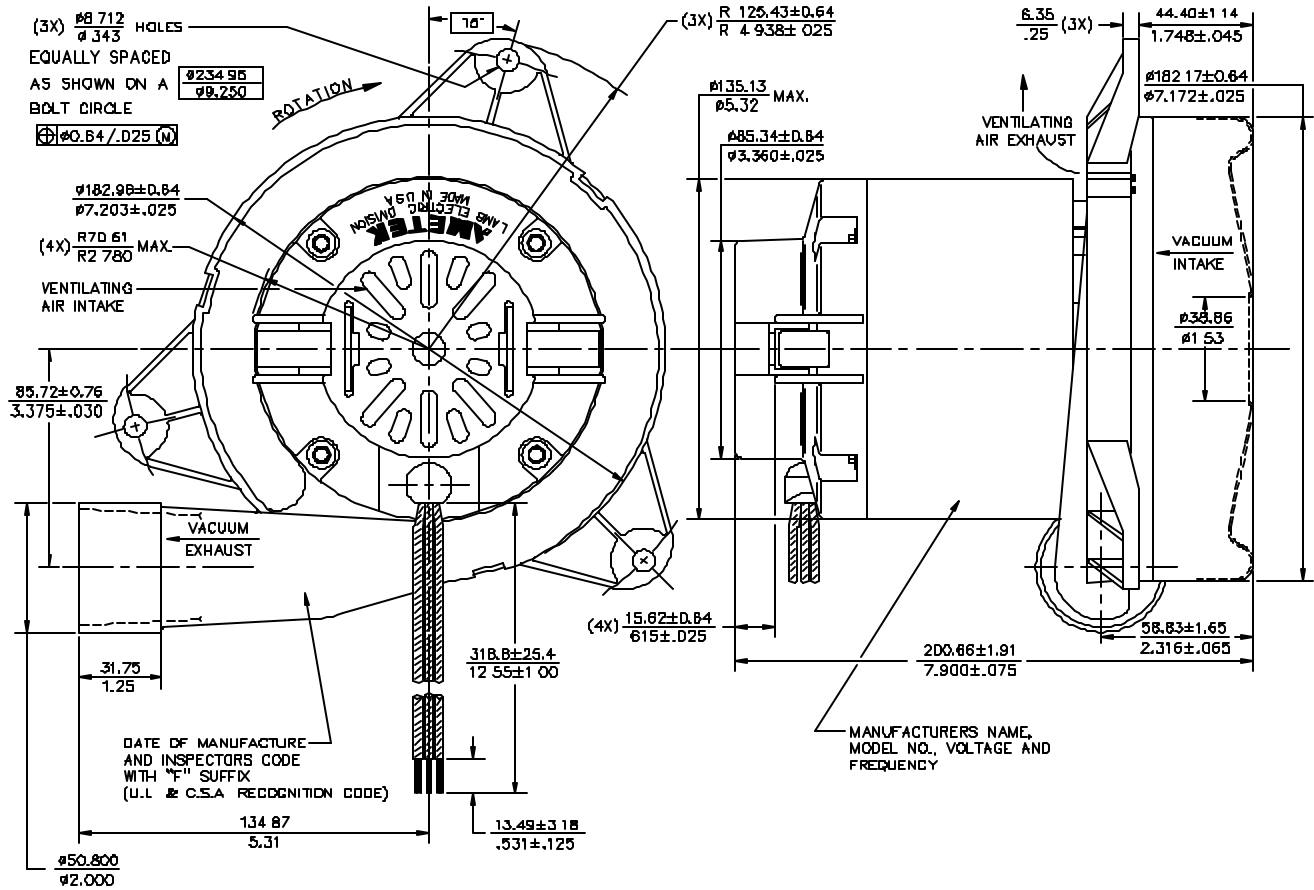
* Data represents performance of a typical motor sampled from a large production quantity. Individual motor data may vary due to normal manufacturing variat

Test Specs:	120 volts	Minimum Sealed Vacuum:	120.0"	ORIFICE:	7/8"	Minimum Vacuum:	55.0"	Maximum Watts:	1700
-------------	-----------	------------------------	--------	----------	------	-----------------	-------	----------------	------

DIMENSIONS

NOTES:

1 LEADS: 18GA STRANDED, ONE BLACK AND ONE WHITE GROUND LEAD 18GA. STRANDED, GREEN WITH YELLOW STRIPE



IMPORTANT NOTE: Pictorial and dimensional data are subject to change without notice. Contact factory for current revision levels.

WARNING - When using AMETEK Lamb Electric bypass motors in machines that come in contact with foam, liquid (including water), or other foreign substances, the machine must be designed and constructed to prevent those substances from reaching the fan system, motor housing, and electrical components. Lamb Electric vacuum motors other than hazardous duty models should not be applied in machines that come in contact with dry chemicals or other volatile materials. Failure to observe these precautions could cause flashing (depending on volatility) or electrical shock which could result in property damage and severe bodily injury, including death in extreme cases. All applications incorporating Lamb Electric motors should be submitted to appropriate organizations or agencies for testing specifically related to the safety of your equipment.

AMETEK/Lamb Electric Division
 627 Lake Street
 Kent, Ohio 44240
 U.S.A.
 Tel: (330) 673-3451
 Fax: (330) 673-8994

Ametek GmbH
 Weilimdorfer Str. 47
 D-70825 Korntal-Munchingen
 Germany
 Phone: + 49-711-838-7876
 Fax: + 49-711-838-7862

AMETEK/Singapore Private Limited
 10 Ang Mo Kio Street 65
 # 05-12 Techpoint
 Singapore 2056
 Tel: + 65-484-2388
 Fax: + 65-481-6588