



AMETEK

Lamb Electric

Product Bulletin

Model: 122264-08

Advantek III - Ultra II

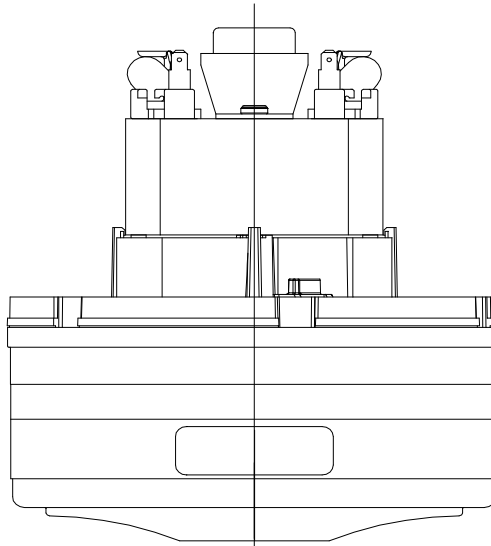


DESCRIPTION

- Two stage
- 120 volts
- 5.7"/145 mm diameter
- Double ball bearings
- Single speed
- Thru-flow discharge
- Thermoset fan end bracket
- Stamped steel end bracket

DESIGN APPLICATION

- Equipment operating in environments not requiring separation of working air from motor ventilating air
- Designed to handle clean, dry, filtered air only

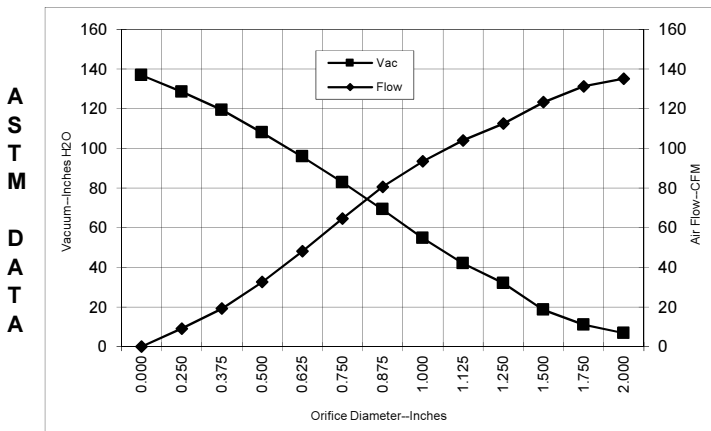


SPECIAL FEATURES

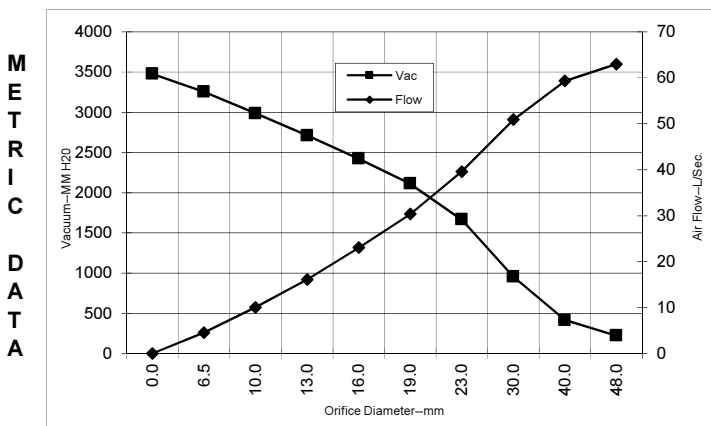
- Patented Advantek II diffusion
- 3" Commercial Lamination
- Dual Tapered fan system
- Provision for grounding
- Top end mounting boss
- Thermal Device
- UL recognized, category PRGY2 (E47185)
- Suitable for 120 volt AC operation, 50 or 60 Hz
- The Lamb vacuum motor line offers a wide range of performance levels to meet design needs
- The -08 version includes leads

TYPICAL MOTOR PERFORMANCE.*

(At 120 volts, 60Hz, test data is corrected to standard conditions of 29.92 Hg, 68° F.)



| Orifice (Inches) | Amps | Watts (In) | RPM | Vac (In.H ₂ O) | Flow (CFM) | Air Watts |
|------------------|------|------------|-------|---------------------------|------------|-----------|
| 2.000 | 14.4 | 1642 | 24349 | 6.8 | 135.2 | 108 |
| 1.750 | 14.4 | 1640 | 24366 | 11.1 | 131.3 | 171 |
| 1.500 | 14.3 | 1635 | 24416 | 18.5 | 123.3 | 268 |
| 1.250 | 14.2 | 1619 | 24515 | 32.0 | 112.4 | 422 |
| 1.125 | 14.0 | 1605 | 24568 | 42.0 | 104.0 | 513 |
| 1.000 | 13.8 | 1578 | 24694 | 54.7 | 93.5 | 601 |
| 0.875 | 13.4 | 1540 | 24910 | 69.2 | 80.6 | 655 |
| 0.750 | 12.7 | 1459 | 25579 | 82.9 | 64.6 | 628 |
| 0.625 | 11.7 | 1351 | 26533 | 95.9 | 48.1 | 541 |
| 0.500 | 10.6 | 1230 | 27889 | 107.9 | 32.6 | 413 |
| 0.375 | 9.4 | 1096 | 29568 | 119.3 | 19.2 | 269 |
| 0.250 | 8.4 | 984 | 30936 | 128.6 | 9.1 | 138 |
| 0.000 | 7.8 | 911 | 32443 | 136.9 | 0.0 | 0 |



| Orifice (mm) | Amps | Watts (In) | RPM | Vac (mm H ₂ O) | Flow (L/Sec) | Air Watts |
|--------------|------|------------|-------|---------------------------|--------------|-----------|
| 48.0 | 14.4 | 1641 | 24356 | 221 | 63.0 | 136 |
| 40.0 | 14.3 | 1637 | 24401 | 414 | 59.3 | 239 |
| 30.0 | 14.1 | 1612 | 24544 | 953 | 50.9 | 472 |
| 23.0 | 13.5 | 1549 | 24856 | 1666 | 39.6 | 641 |
| 19.0 | 12.7 | 1457 | 25598 | 2112 | 30.3 | 627 |
| 16.0 | 11.7 | 1355 | 26495 | 2422 | 23.0 | 545 |
| 13.0 | 10.7 | 1242 | 27753 | 2711 | 16.1 | 426 |
| 10.0 | 9.6 | 1116 | 29316 | 2987 | 10.0 | 290 |
| 6.5 | 8.5 | 990 | 30868 | 3254 | 4.6 | 144 |
| 0.0 | 7.8 | 911 | 32443 | 3478 | 0.0 | 0 |

Note: Metric Performance data is calculated from the ASTM data above.

* Data represents performance of a typical motor sampled from a large production quantity. Individual motor data may vary due to normal manufacturing variations.

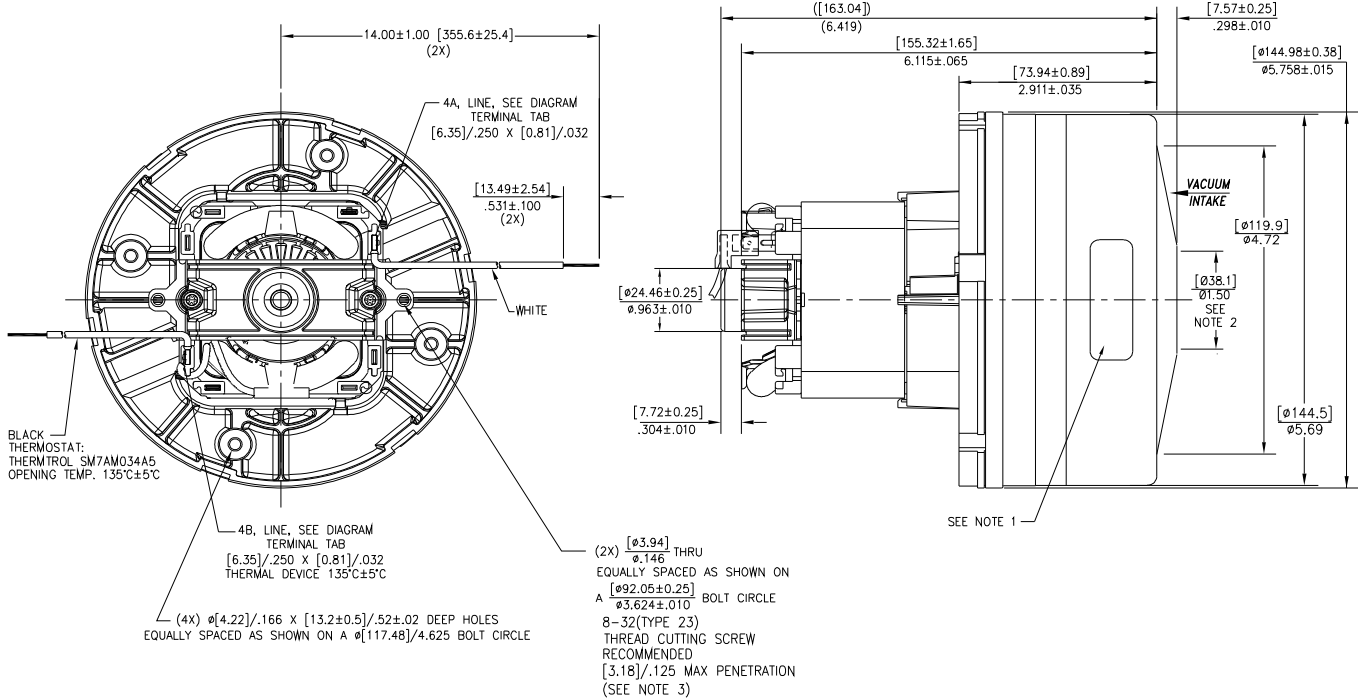
| | | | | | | | | | |
|-------------|-----------|------------------------|-------|----------|-------|-----------------|------|----------------|------|
| Test Specs: | 120 volts | Minimum Sealed Vacuum: | 130.0 | ORIFICE: | 7/8 " | Minimum Vacuum: | 61.0 | Maximum Watts: | 1605 |
|-------------|-----------|------------------------|-------|----------|-------|-----------------|------|----------------|------|



DIMENSIONS

NOTES:

1. MODEL NUMBER, DATE OF MANUFACTURE, PLANT LOCATION CODE, AGENCY RECOGNITION CODE, INSPECTOR'S CODE, MANUFACTURER'S NAME, "US PATENT: US 6,703,754 B1", VOLTAGE AND FREQUENCY, "08B ARM, 02F FLD" AND CUSTOMER'S PART NO. TO APPEAR ON MOTOR.
2. MOUNTING MUST NOT RESTRICT THIS DIAMETER.
3. GROUNDING OR EARTHING PROVISIONS: USE HOLES AS INDICATED FOR GROUNDING OR EARTHING. REFER TO APPROPRIATE LISTING OR REGULATORY AGENCY FOR PROPER METHOD OF GROUNDING OR EARTHING.
4. LEADS 18 GA. STRANDED.



Advantek III - Ultra II

IMPORTANT NOTE: Pictorial and dimensional data are subject to change without notice. Contact factory for current revision levels.

WARNING - When using AMETEK Floorcare & Specialty Motors (F&SM) bypass motors in machines that come in contact with foam, liquid (including water), or other foreign substances, the machine must be designed and constructed to prevent those substances from reaching the fan system, motor housing, and electrical components. F&SM vacuum motors other than hazardous duty models should not be applied in machines that come in contact with dry chemicals or other volatile materials. Failure to observe these precautions could cause flashing (depending on volatility) or electrical shock which could result in property damage and severe bodily injury, including death in extreme cases. All applications incorporating F&SM motors should be submitted to appropriate organizations or agencies for testing specifically related to the safety of your equipment.

AMETEK Dynamic Fluid Solutions
www.ametekdfs.com